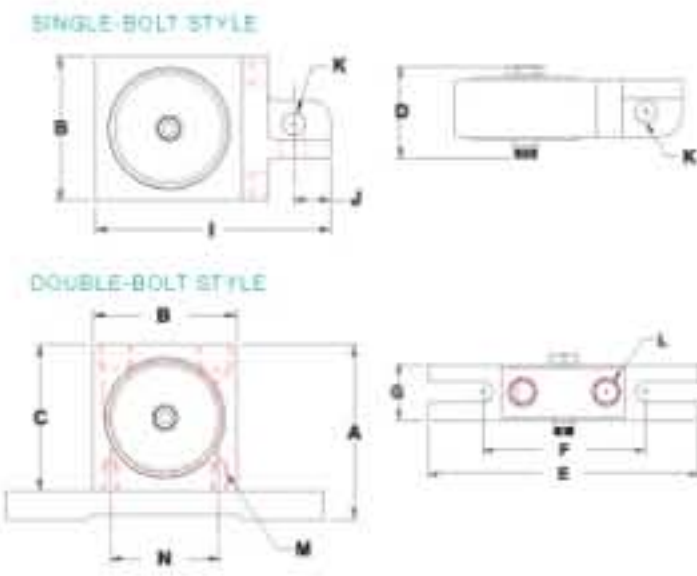


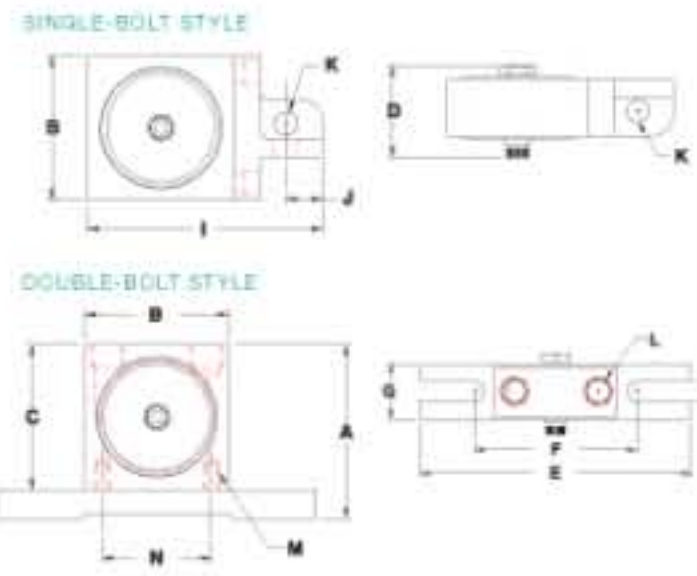
### CVT-A-30-1 SINGLE BOLT MOUNT



A 2-1/4" (5.72cm)	B 1-3/4" (4.45cm)
C 1-7/8" (4.76cm)	D 1-1/4" (3.18cm)
E 4-7/8" (12.38cm)	F 2-5/8" (6.67cm)
G 7/8" (2.22cm)	H 3/8" (.95cm)
I 3-7/16" (8.73cm)	J 3/8" (.95cm)
K 5/16" (.79cm)	L 1/8" NPT
M #10-24 THREAD	N 1-3/8" (3.49cm)

<b>Weight</b> 0.48 lbs.	<b>Unbalance</b> .013 in-lbs (.017 cm-kg)	<b>AIR CNSMP @ 80 psi ; 5.4bar</b> 3.2 cfm ; 90.1 lpm
<b>FREQ. @ 80 psi ; 5.4bar</b> 16,890 VPM	<b>Force @ 80 psi ; 5.4 bar</b> 105.3 lbf (467.5N)	

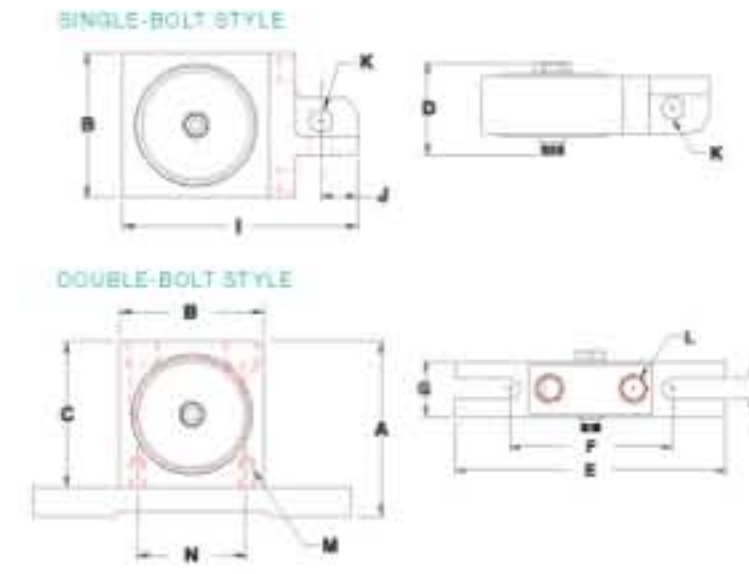
### CVT-A-40-1 SINGLE BOLT MOUNT



A 2-1/2" (6.35cm)	B 2-1/8" (5.39cm)
C 2-1/8" (5.39cm)	D 1-1/2" (3.81cm)
E 4-1/2" (11.43cm)	F 2-11/16" (6.83cm)
G 1" (2.54cm)	H 3/8" (.95cm)
I 3-9/16" (9.05cm)	J 1/2" (1.27cm)
K 3/8" (.95cm)	L 1/8" NPT
M 1/4-20 THREAD	N 1-1/2" (3.81cm)

<b>Weight</b> 0.65 lbs.	<b>Unbalance</b> .029 in-lbs (.038cm-kg)	<b>AIR CNSMP @ 80 psi ; 5.4bar</b> 3.2 cfm ; 90.1 lpm
<b>FREQ. @ 80 psi ; 5.4bar</b> 15,690 VPM	<b>Force @ 80 psi ; 5.4 bar</b> 202.8 lbf (900.4N)	

### CVT-A-30-2 DOUBLE BOLT MOUNT



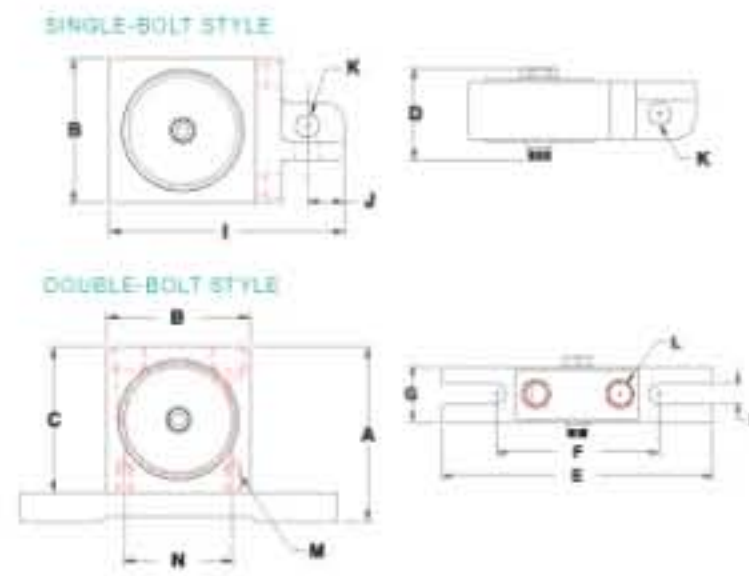
A 2-1/4" (5.72cm)	B 1-3/4" (4.45cm)
C 1-7/8" (4.76cm)	D 1-1/4" (3.18cm)
E 4-7/8" (12.38cm)	F 2-5/8" (6.67cm)
G 7/8" (2.22cm)	H 3/8" (.95cm)
I 3-7/16" (8.73cm)	J 3/8" (.95cm)
K 5/16" (.79cm)	L 1/8" NPT
M #10-24 THREAD	N 1-3/8" (3.49cm)

<b>Weight</b> 0.48 lbs.	<b>Unbalance</b> .013 in-lbs (.017 cm-kg)	<b>AIR CNSMP @ 80 psi ; 5.4bar</b> 3.2 cfm ; 90.1 lpm
<b>FREQ. @ 80 psi ; 5.4bar</b> 16,890 VPM	<b>Force @ 80 psi ; 5.4 bar</b> 105.3 lbf (467.5N)	

上海欣帆机电科技有限公司  
电话: 021-62255510  
www.shinfan.com



### CVT-A-40-2 DOUBLE BOLT MOUNT



A 2-1/2" (6.35cm)	B 2-1/8" (5.39cm)
C 2-1/8" (5.39cm)	D 1-1/2" (3.81cm)
E 4-1/2" (11.43cm)	F 2-11/16" (6.83cm)
G 1" (2.54cm)	H 3/8" (.95cm)
I 3-9/16" (9.05cm)	J 1/2" (1.27cm)
K 3/8" (.95cm)	L 1/8" NPT
M 1/4-20 THREAD	N 1-1/2" (3.81cm)

<b>Weight</b> 0.65 lbs.	<b>Unbalance</b> .029 in-lbs (.038cm-kg)	<b>AIR CNSMP @ 80 psi ; 5.4bar</b> 3.2 cfm ; 90.1 lpm
<b>FREQ. @ 80 psi ; 5.4bar</b> 15,690 VPM	<b>Force @ 80 psi ; 5.4 bar</b> 202.8 lbf (900.4N)	